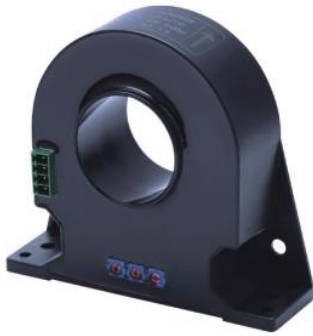




KLY-HT-BY09 Series TRMS Hall Current Transmitter

KLY-HT-BY09系列真有效值霍尔电流变送器



KLY-HT-BY09 series TRMS hall effect current transmitter, rated input voltage is 100A~1000A; rated output voltage is DC0~5V、DC0~20mA or 4~20mA. As the isolation measurement 1200V and below the main loop system AC, DC current; supply voltage Vcc is DC20V~DC32V; response time TR is ≤150ms; Aperture measurement with 35, output can provide standard direct current signal long distance transmission.

KLY-HT-BY09系列直测式电流传感变送器(霍尔电流变送器), 额定输入100A~1000A, 额定输出直流DC0~5V或DC0~20mA或4~20mA。作为隔离测量1200V及以下主回路系统的交、直流电流, 工作电源DC20V~DC32V, 响应时间≤150ms, 测量孔径Φ35, 输出能提供长距离传送的标准直流电流信号。

Products Features

Excellent accuracy High immunity to external interference
Very good linearity Low temperature drift
Optimized response time Wide frequency bandwidth
No insertion losses

产品特点

精度高 抗干扰能力强
良好的线性度 低温度漂移
最佳的响应时间 频带宽
无插入损耗

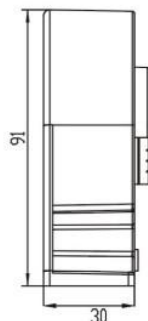
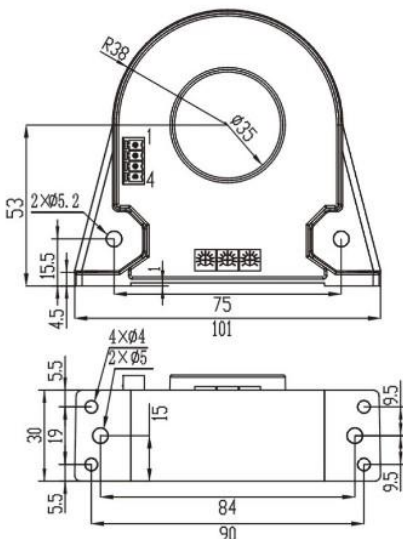
Instructions 使用说明

1. Incorrect wiring may cause the damage of sensor.
1. 保证接线正确, 错误的接线可能会导致传感器损坏。
2. When the measured current through the center hole of the sensor, the current will be measured at the output end.
2. 当待测电流通过传感器的穿心孔, 可在输出端测得电流大小。
3. The dynamic performance (di/dt and the response time) is the best when the primary hole is fully filled with the bus bar.
3. 母排完全充满初级穿孔时动态表现(Di/dt和响应时间)为最佳。
4. User can adjust the output extent of sensor if necessary.
4. 传感器输出幅度可根据用户需求进行适当的调节。
5. Rated input current and output voltage of sensor can be customized.
5. 可按用户需求定制不同额定输入电流和输出电压的传感器。

Electrical Data (Ta=25°C±5°C) 电气参数

Type型号	KLY-HT-BY09-01C					
Parameters参数						
Rated input 额定输入电流 I _{PN}	±100A	±200A	±400A	±600A	±800A	±1000A
Measure range 测量范围 I _{P@}	±200A	±400A	±800A	±1200A	±1600A	±2000A
Rated output 额定输出	(DC) 4~20mA或(0~5V或0~20mA)					
Supply voltage 电源电压 V _{cc}	+20~+32V					
Current consumption 功耗电流 I _c	30 + I _{out} mA					
Output current limitation 输出电流限制	<25mA					
Zero current 零点电流 I _o	4 ± 0.1mA					
Offset current drift 失调电流温漂 I _{or}	@ I _p =0 TA = -25°C ~ +70°C < ±0.005mA/°C					
Output current drift 输出电流温漂	@ I _{out} % of Reading < ±0.1%/°C					
Linearity 线性度 ε _L	<1%FS					
Response time 响应时间 T _r	@ 10%~90% <150ms					
Galvanic isolation 绝缘电压 V _D	@ AC/50Hz/1 min 3.0KV					
Frequency bandwidth 频带宽度	@ ±1db DC, 20~6000Hz					
Load resistance 负载电阻 R _M	>5k Ω (电压输出) / <300 Ω (电流输出)					
Operating temperature 工作环境温度 T _A	-25°C ~ +70°C					
Storage temperature 贮存环境温度 T _s	-40°C ~ +100°C					
Mass (approx) 毛重 (约) m	355g					

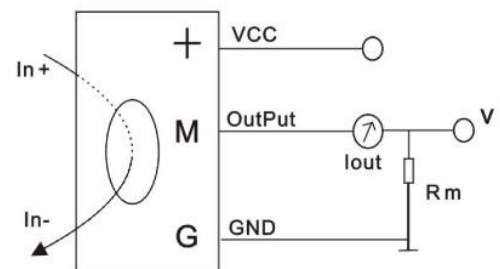
Mechanical Dimension (for Reference Only) 结构参数



管脚定义 Pin Definition

1. Vcc
2. Iout
3. NC
4. GND

Circuit Connection Diagram 电路连接示意图



Casing material 外壳材料: 符合UL94-V0